



TOP PERFORMANCE WITH UNIQUE AESTHETICS FOR FREE WEIGHT ROOMS.

High impact and sound absorption.

■ **ENDURANCE:** The increased density provides the ideal solution for standard cardio and free weight areas. Customization options available.

NEW ■ **ENDURANCE S&S*:** Excellent acoustic insulation specifically designed for Free Weight areas where increased sound and vibration absorption is essential.

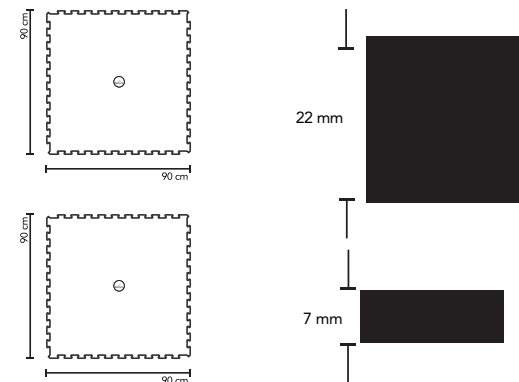
*Available on March 2015

COLOURS.

ENDURANCE.



ENDURANCE S&S. NEW



REFERENCES.

	ENDURANCE	ENDURANCE S&S
BAMBOO-C1	157.021A	-
BEECHWOOD-C1	157.014A	-
WALNUT-C1	157.022A	151.022A
WENGUE-C1	157.013A	151.013A
GRAPHITE GREY-C1	-	151.019B
STONE GREY-C1	157.019A	151.019A
BLACK MARBLE-C1	157.024A	151.024A
AUTUMN BROWN	157.043A	-
CYAN-C1	157.037A	-
RED-C1	157.027A	-
ORANGE-C1	157.028A	-
LIME-C1	157.030A	-
PURPLE-C1	157.029A	-
YELLOW-C1	157.038A	-
MAGENTA-C1	157.036A	-
JET BLACK-C1	157.011A	-

The colours of the final product may differ slightly from the colours shown above.



WWW.PAVIGYM.COM

TECHNICAL INFORMATION.

	NORM	ENDURANCE	ENDURANCE S&S
THICKNESS		7 mm	22 mm
NET DIMENSIONS		90x90 cm	90 x 90 cm
WEIGHT		6,8 kg	16,0 Kg
DENSITY	UNE-53526	1.200 kg/m ³	900 Kg/m ³
HARDNESS	DIN 53505	75° Shore A	75° Sh. A
WATER ABSORPTION	ASTM D570	0%	0%
COEFFICIENT OF LINEAR DILATATION	0°C-40°C	1,5 10 ⁻⁴ °C ⁻¹	10 ⁻⁴ °C ⁻¹
FIRE REACTION	EN 13501-1	Cfl-s2 (Op. Bfl-s1)	Efl (Op. Cfl)
FORMALDEHYDE EMISSION	EN 717-2	-	<0,5
INSTALLATION SYSTEM		INTERLOCKING INSTALLATION SYSTEM	

INSTALLATION INFORMATION:

Average values obtained in normal environment conditions.
PAVIGYM™ reserves the right to change the product characteristics at any time.

COMPARATIVE CHART.

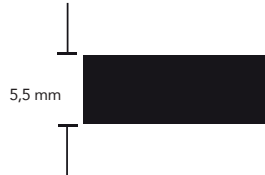
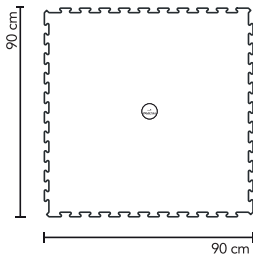
	PAVIGYM™ ENDURANCE S&S	PAVIGYM™ ENDURANCE	RECYCLED RUBBER (ROLLS)	PAVIGYM™ EXTREME S&S	PAVIGYM™ EXTREME
COMFORT	*****	***	**	*****	***
ENERGY RESTITUTION/ POINT ELASTICITY	*****	***	***	*****	***
MARKS RESISTANCE (Regular Loads)	*****	****	****	*****	*****
MARKS RESISTANCE (Big Loads)	****	**	**	*****	***
SOUND INSULATION	*****	***	***	*****	***
THERMAL INSULATION	*****	***	***	*****	***
DURABILITY	****	*****	***	****	*****
WATER RESISTANCE	*****	*****	*****	*****	*****
HYGIENIC/ANTI-BACTERIAL PROTECTION	***	*****	***	***	*****
EASY TO INSTALL	****	*****	***	***	*****
EASY TO MAINTAIN	****	*****	**	**	*****
AESTHETICS	*****	*****	*	*	*****

***** HIGH PERFORMANCE
* LOW PERFORMANCE

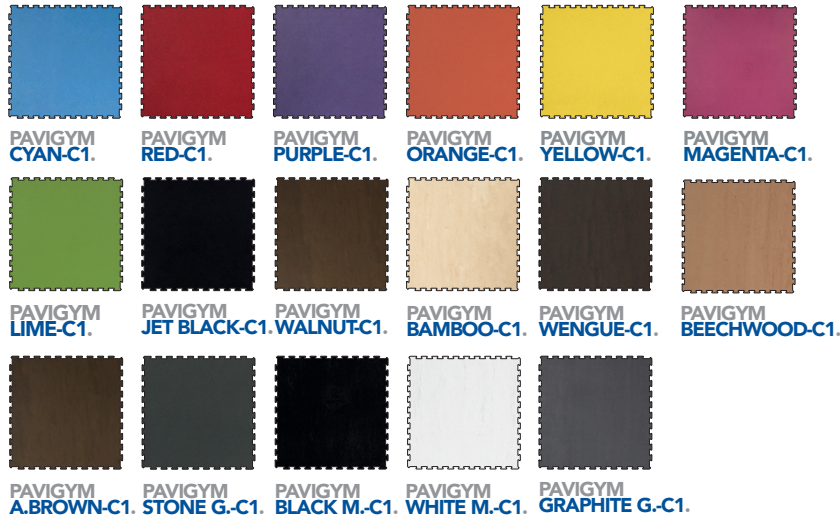


TOP PERFORMANCE IN YOUR CARDIO & FITNESS AREA.

- Prevents equipment from sliding. Noise & vibration absorption.
- Supreme resistance as a result of the high density makes PAVIGYM™ Performance the perfect solution for your cardio and fitness area.
- Unique aesthetics.



COLOURS.



REFERENCES.

BAMBOO-C1	155.021A
BEECHWOOD-C1	155.014A
WALNUT-C1	155.022A
WENGUE-C1	155.013A
STONE GREY-C1	155.019A
BLACK MARBLE-C1	155.024A
AUTUMN BROWN-C1	155.043A
WHITE MARBLE-C1	155.023A
GRAPHITE GREY-C1	157.019B
CYAN-C1	155.037A
RED-C1	155.027A
ORANGE-C1	155.028A
LIME-C1	155.030A
PURPLE-C1	155.029A
YELLOW-C1	155.038A
MAGENTA-C1	155.036A
JET BLACK-C1	155.011A



TECHNICAL INFORMATION.

	NORM	PERFORMANCE
THICKNESS		5,5 mm
NET DIMENSIONS		90x90 cm
WEIGHT		5,3 kg
DENSITY	UNE-53526	1.200 kg/m ³
HARDNESS	DIN 53505	75° Shore A
WATER ABSORPTION	ASTM D570	0%
COEFFICIENT OF LINEAR DILATATION	0°C-40°C	1,5 10 ⁻⁴ °C ⁻¹
FIRE REACTION	EN 13501-1	Cfl-s2 (Op. Bfl-s1)
FORMALDEHYDE EMISSION	EN 717-2	-
INSTALLATION SYSTEM		INTERLOCKING INSTALLATION SYSTEM



Average values obtained in normal environment conditions.
PAVIGYM™ reserves the right to change the product characteristics at any time.

COMPARATIVE CHART.

	PERFORMANCE	PAVIGYM™ ENDURANCE	RECYCLED RUBBER (ROLLS)	LAMINADO	CARPET	LINOLEUM	CERAMIC/ STONE
COMFORT	***	***	***	**	****	***	*
VIBRATION ABSORPTION	***	****	***	*	***	***	*
MARKS RESISTANCE	***	****	****	*	**	**	****
SOUND INSULATION	***	***	***	*	**	***	*
THERMAL INSULATION	**	**	**	***	****	***	*
DURABILITY	*****	*****	***	*	*	***	*****
HYGIENIC/ANTI-BACTERIAL PROTECTION	****	****	**	****	*	***	*****
EASY TO INSTALL	*****	*****	**	**	**	**	*
EASY TO REPAIR/MANTAIN	*****	*****	**	*	*	**	**
AESTHETICS	****	****	*	***	****	****	****





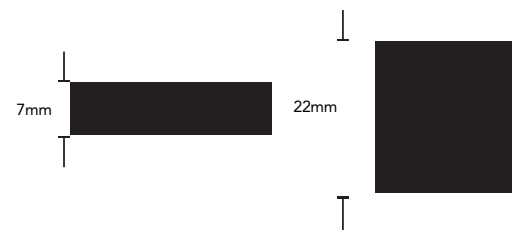
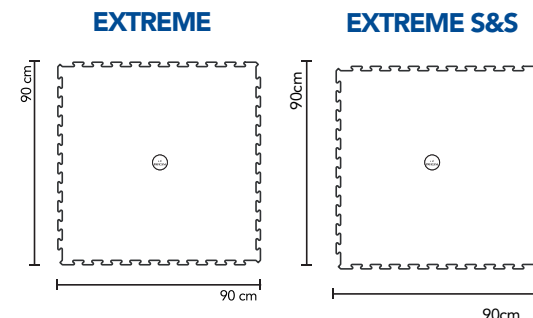
TOP RESISTANCE FOR WEIGHT AREAS.

PAVIGYM™ Extreme is the most resistant flooring solution for the heavy weight, free weight and weight-training (cross training) areas.

Developed with a specific combination of PAVIGYM™ components, Extreme gives the higher level of wear resistance and flexibility of its category.

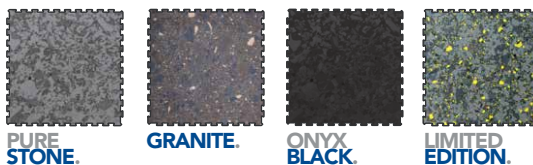
- **EXTREME (7mm):** top resistance against damage. Absorbs the impact force of falling objects.

- NEW** ■ **EXTREME S&S (22mm):** Its extra-thickness provides even more protection against impacts.



COLOURS.

EXTREME.



EXTREME S&S. NEW



REFERENCES.

	EXTREME.	EXTREME S&S.
PURE STONE	R107.001	R113.001
GRANITE	R107.002	R113.002
ONYX BLACK	R107.003	R113.003
LTD. EDITION	R107.004	R113.004
ARMY	-	R113.009



TECHNICAL DETAILS.

	NORM	EXTREME	EXTREME S&S
THICKNESS		7 mm	22 mm
NET DIMENSIONS		90x90 cm	90 x 90 cm
WEIGHT		7,2 kg	15,5 Kg
DENSITY	UNE-53526	1.200 kg/m ³	900 Kg/m ³
WATER ABSORPTION	ASTM D570	0%	0%
COEFFICIENT OF LINEAR DILATATION	0°C-40°C	1,5 10 ⁻⁴ °C ⁻¹	10 ⁻⁴ °C ⁻¹
FIRE REACTION	EN 13501-1	Cfl-s2	Efl
INSTALLATION SYSTEM		INTERLOCKING	INTERLOCKING

Average values obtained in normal environment conditions.
PAVIGYM™ reserves the right to change the product characteristics at any time.

INSTALLATION INFORMATION:

COMPARATIVE CHART.

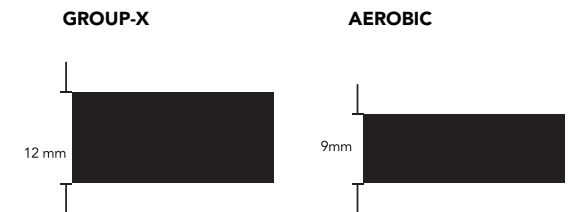
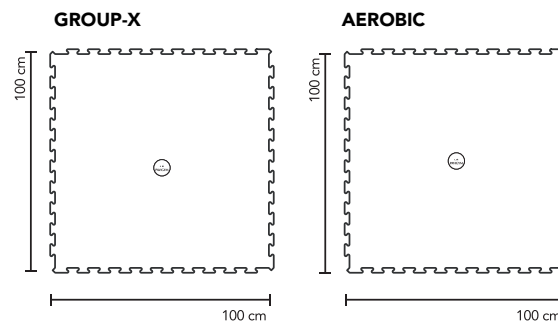
	PAVIGYM™ ENDURANCE S&S	PAVIGYM™ ENDURANCE	RECYCLED RUBBER (ROLLS)	PAVIGYM™ EXTREME S&S	PAVIGYM™ EXTREME
COMFORT	*****	***	**	*****	***
ENERGY RESTITUTION/ POINT ELASTICITY	*****	***	***	*****	***
MARKS RESISTANCE (Regular Loads)	*****	*****	****	*****	*****
MARKS RESISTANCE (Big Loads)	****	**	**	*****	***
SOUND INSULATION	*****	***	***	*****	***
THERMAL INSULATION	*****	***	***	*****	***
DURABILITY	****	*****	***	****	*****
WATER RESISTANCE	*****	*****	*****	*****	*****
HYGIENIC/ANTI-BACTERIAL PROTECTION	***	*****	***	***	*****
EASY TO INSTALL	****	*****	***	***	*****
EASY TO MAINTAIN	****	*****	**	**	*****
AESTHETICS	*****	*****	*	*	*****



THE BEST PROTECTION AGAINST INJURIES IN GROUP-X ROOMS.

Scientifically tested.

- **GROUP-X:** The best solution for Aerobic and multi-purpose group activity rooms, where any equipment is moved (body-pump, etc). Extra thickness for extra resistance.
- **AEROBIC:** The solution for basic group activity rooms without accessories (aerobic, cardio-boxing, etc.).



! NEEDS TO BE GLUED

COLOURS.*



* All colours available for both products.

REFERENCES.

GROUP-X. AEROBIC.

WENGUE-E1*	113.013A	112.013A
BAMBOO-E1	113.021A	112.021A
BEECHWOOD-E1	113.014A	112.014A
WHITE MARBLE - E1*	113.023A	112.023A
ASH GREY - E1	113.032A	112.032A
STONE GREY - E1*	113.019A	112.019A
BLACK MARBLE - E1*	113.024A	112.024A

* WITH PU LAYER

The colours of the final product may differ slightly from the colours shown above.



TECHNICAL INFORMATION.

	NORME	GROUP-X	AEROBIC
THICKNESS		12 mm	9 mm
NET DIMENSIONS		100x100 cm	100x100 cm
WEIGHT		3,6 kg	2,7 kg
DENSITY	UNE-53526	300 kg/m ³	300 kg/m ³
HARDNESS	DIN 53505	65° Shore A	65° Shore A
WATER ABSORPTION	ASTM D570	0%	0%
COEFFICIENT OF LINEAR DILATATION	0°C-40°C	1,9 10 ⁻⁴ °C ⁻¹	1,9 10 ⁻⁴ °C ⁻¹
SHOCK ABSORBANCE	EN 14808	45%	41%
COEFFICIENT OF FRICTION	EN 13036	83	83
FIRE REACTION	EN 13501-1	Efl (Op. Cfl)	Efl (Op. Cfl)
FORMALDEHYDE EMISSION	EN 717-2	E1	E1
INSTALLATION SYSTEM		GLUED INSTALLATION	



Average values obtained in normal environment conditions.

Pavigym reserves the right to change the product characteristics at any time.

COMPARATIVE CHART.

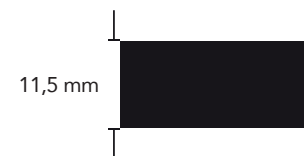
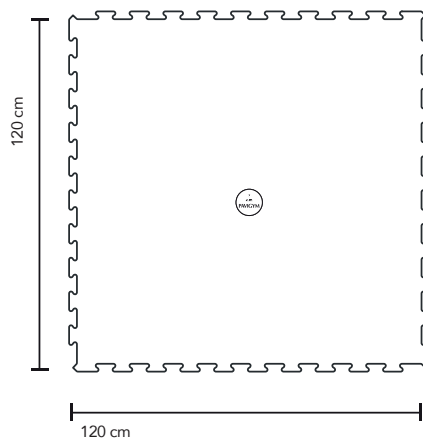
	PAVIGYM AEROBIC	WOODEN SPRING	LAMINATE
COMFORT AND WELLNESS	*****	**	**
SHOCK ABSORPTION	*****	***	*
ENERGY RESTITUTION	*****	*	*
MOVEMENT PROTECTION (SLIP/BLOCKING)	*****	***	**
SOUND INSULATION	****	*	*
THERMAL INSULATION	****	**	**
DURABILITY	****	**	***
WATER RESISTANCE	*****	**	*
HYGIENIC/ANTI-BACTERIAL PROTECTION	****	**	****
EASYNES AND SHORT INSTALLATION TIME	*****	*	**
LOW INSTALLATION COST	*****	*	**
LOW MAINTENANCE COST	*****	**	***
DAMAGED AREA REPLACEMENT (MODULARITY)	*****	*	*
AESTHETICS	****	*****	*****



THE ONLY FLOORING IN THE WORLD SPECIFICALLY DESIGNED FOR GROUND EXERCISES.

Ideal for ground exercises such as Yoga, Stretching, Body-Mind.... Comfortable with thermal insulation, making exercise a more enjoyable experience.

BODY MIND 120x120



! NEEDS TO BE GLUED

COLOURS.



REFERENCES.

120x120

BAMBOO - E1	118.021A
WHITE MARBLE - E1	118.023A
ASH GREY - E1	118.032A
STONE GREY - E1*	118.019A
BLACK MARBLE -E1*	118.024A

* WITH PU LAYER



TECHNICAL INFORMATION.

	NORM	120x120
THICKNESS		11,5 mm
NET DIMENSIONS		120x120 cm
WEIGHT		3,1 kg
DENSITY	UNE-53526	200 kg/m ³
HARDNESS	DIN 53505	40° Shore A
WATER ABSORPTION	ASTM D570	0%
COEFFICIENT OF LINEAR DILATATION	0°C-40°C	2,5 10 ⁻⁴ °C ⁻¹
FIRE REACTION	EN 13501-1	Efl (Op. Cfl)
FORMALDEHYDE EMISSION	EN 717-2	E1
INSTALLATION SYSTEM		GLUED INSTALLATION



Average values obtained in normal environment conditions.
PAVIGYM™ reserves the right to change the product characteristics at any time.

COMPARATIVE CHART.

	PAVIGYM BODY MIND	WOODEN SPRING	LAMINATE
COMFORT AND WELLNESS	*****	*	*
ENERGY RESTITUTION/ POINT ELASTICITY	*****	*	*
MOVEMENT PROTECTION (SLIP/BLOCKING)	*****	***	**
SOUND INSULATION	****	*	*
THERMAL INSULATION	*****	**	**
DURABILITY	****	**	***
WATER RESISTANCE	*****	**	*
HYGIENIC/ANTI-BACTERIAL PROTECTION	****	**	****
EASYNES AND SHORT INSTALLATION TIME	*****	*	**
LOW INSTALLATION COST	*****	*	**
LOW MAINTENANCE COST	*****	**	***
EASYNES OF CLEANING	****	****	**
DAMAGED AREA REPLACEMENT (MODULARITY)	*****	*	*
AESTHETICS	****	*****	*****
RANGE OF COLOURS	****	***	*****

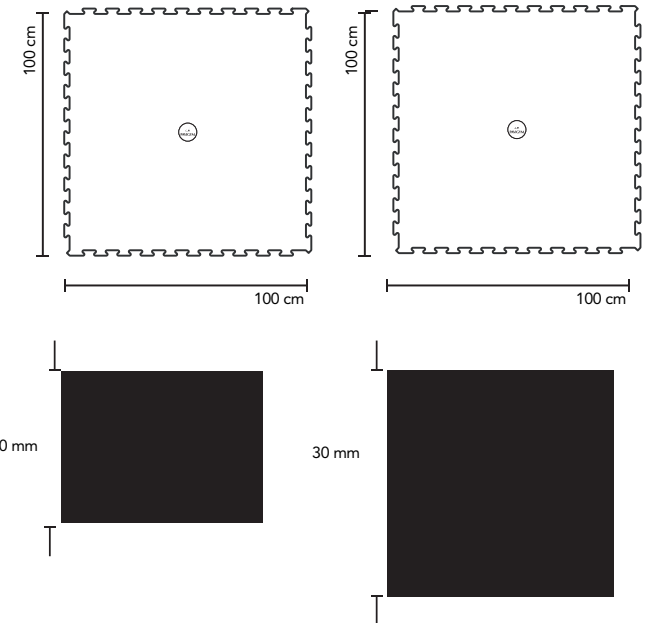
***** HIGH PERFORMANCE
* LOW PERFORMANCE



THE MOST ADVANCED TECHNICAL SOLUTION FOR MARTIAL ARTS.

Designed to absorb heavy impacts and gradually restore energy.

- **TATAMI 20:** Designed for fast, fluid and safe movements in Karate, Taekwondo, Kung Fu,...
- **TATAMI 30:** A higher shock absorbency capacity for heavier falls in Judo, Aikido,...



COLOURS.



PAVIGYM BLUE.

PAVIGYM GREY.

PAVIGYM GREEN.

PAVIGYM RED.

PAVIGYM BLACK.

REFERENCES.

	TATAMI 20	TATAMI 30
BLUE	121.001	131.001
GREY	121.005	131.005
GREEN	121.003	131.003
RED	121.002	131.002
BLACK	121.004	131.004



TECHNICAL INFORMATION.

	NORM	TATAMI 20	TATAMI 30
THICKNESS		20 mm	30 mm
NET DIMENSIONS		100x100 cm	100x100 cm
WEIGHT		2,4 kg	3,6 kg
DENSITY	UNE-53526	120 kg/m ³	120 kg/m ³
HARDNESS	DIN 53505	30° Shore A	30° Shore A
WATER ABSORPTION	ASTM D570	0%	0%
COEFFICIENT OF LINEAR DILATATION	0°C-40°C	4,3 10 ⁻⁴ °C ⁻¹	4,3 10 ⁻⁴ °C ⁻¹
FIRE REACTION	EN 13501-1	Efl (Op. CfI)	Efl (Op. CfI)
FORMALDEHYD-EMISSION	EN 717-2	E1	E1
HIC	EN 1177	76 cm	110 cm
INSTALLATION SYSTEM		INTERLOCKING INSTALLATION SYSTEM	

Average values obtained in normal environment conditions.
PAVIGYM™ reserves the right to change the product characteristics at any time.

**INSTALLATION
INFORMATION:**

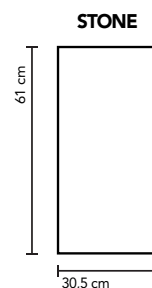




IDEAL TO COVER THE NON-TECHNICAL AREAS OF THE FITNESS CENTERS SUCH AS RECEPTIONS, CORRIDORS, OFFICES, LOCKER ROOMS,...).

An elegant high wear vinyl plank floor, waterproof and very easy to install.

- **RUSTIC:** The elegant wooden look for any transit area in your facility.
- **STONE:** Our new surface range with stone effect and a slightly rough surface.



! NEEDS TO BE GLUED

COLOURS.

RUSTIC.



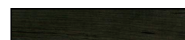
RUSTIC WHITE.



RUSTIC GREY.



RUSTIC BROWN.



RUSTIC BLACK.

STONE.



CHARCOAL GREY.

REFERENCES.

	RUSTIC.	STONE.
RUSTIC WHITE	415.005	-
RUSTIC GREY	415.006	-
RUSTIC BROWN	415.003	-
RUSTIC BLACK	415.007	-
CHARCOAL GREY	-	415.012



TECHNICAL INFORMATION.

	NORM	RUSTIC	STONE
MATERIAL	DIN 16951	PVC Heterogeneous	PVC Heterogeneous
NET DIMENSIONS		95x18,4 cm	61x30,5 cm
TOTAL THICKNESS	EN 428	3 mm	3 mm
WEIGHT/m ²	EN 430	5,5 kg approx.	5,5 kg approx.
NUMBER OF PIECES PER BOX		19 boards (3,32 m ²)	18 boards (3,34 m ²)
RESIDUAL INDENTATION	EN 433	0,04 mm	0,04 mm
FIRE REACTION	DNI 410 EN 13501-1	Bfl- S1	Bfl- S1I
SLIP-RESISTANCE	DIN 51130	R9	R9
SUITABLE FOR FLOORING HEATING		Yes	Yes
UTILIZATION LEVEL	EN 13329	AC5	AC5
INSTALLATION SYSTEM		GLUED INSTALLATION	

Average values obtained in normal environment conditions.

PAVIGYM™ reserves the right to change the product characteristics at any time.

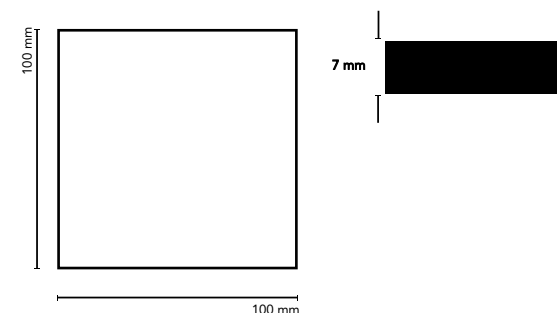
COMPARATIVE CHART.

	PAVIGYM™ TRAFFIC	LINOLEUM	LAMINATE	CARPET	CERAMIC/ STONE
MARK/DENTS RESISTANCE	****	*	**	**	*****
ANTI-SLIPPERINESS	*****	***	*	*****	*
WALKING SOUND REDUCTION	*****	*****	*	*****	*
USE WITH FLOORING HEATING SYSTEM	*****	***	*	****	*****
DURABILITY	****	***	***	*	*****
WATER RESISTANCE	*****	*****	*	*	*****
HYGIENIC/ANTI-BACTERIAL PROTECTION	****	*****	*****	*	*****
EASY TO INSTALL	****	*	**	**	*
LOW INSTALLATION COST	****	*	**	**	*
LOW MAINTENANCE COST	****	**	***	*	****
EASY TO CLEAN	****	*****	**	**	****
DAMAGED AREA REPLACEMENT (MODULARITY)	*****	*	*	*	*****
AESTHETICS	****	****	****	***	****
RANGE OF COLOURS	****	****	****	***	****
PATTERN DESIGNS	*****	*	*	*	*



LIVEN UP THE WALLS IN YOUR STUDIO WITH THE AESTHETICS OF PAVIGYM™.

- New dimension for the gym design.
- More comfort and shock absorption.
- Improves well cleanliness.
- Sound insulation.
- Thermal insulation (reduced heating bills).
- Endless design possibilities: image printing, logos, Functional Zone designs, ...



! NEEDS TO BE GLUED

COLOURS.



REFERENCES.

	100X100	50X100 (protector)
BAMBOO - E1	144.021A	145.021A
BEECHWOOD - E1	144.014A	145.014A
WALNUT - E1*	144.022A	145.022A
WENGUE - E1*	144.013A	145.013A
GREY OAK*	144.039A	145.039A
STONE GREY - E1*	144.019A	145.019A
BLACK MARBLE - E1*	144.024A	145.024A
WHITE MARBLE - E1	144.023A	145.023A
ASH GREY - E1	144.032A	145.032A
CYAN - E1*	144.037A	145.037A
PURPLE - E1*	144.029A	145.029A
LIME - E1	144.030A	145.030A
ORANGE - E1	144.028A	145.028A
RED - E1*	144.027A	145.027A
YELLOW - E1	144.038A	145.038A
MAGENTA - E1*	144.036A	145.036A

* WITH PU LAYER

The colour of the final product may differ slightly from the colours shown above.



TECHNICAL DETAILS.

	NORM	VERTICAL
THICKNESS		7 mm
NET DIMENSIONS		100x100 cm
WEIGHT		3,1 kg
DENSITY	UNE 53526	200 kg/m ³
HARDNESS	DIN 53505	40° Shore A
WATER ABSORPTION	ASTM D570	0%
COEFFICIENT OF LINEAR DILATATION	0°C-40°C	2.5 10 ⁻⁴ °C ⁻¹
FIRE REACTION	EN 13501-1	Efl (Op. Cfl)
FORMALDEHYDE EMISSION	EN 717-2	-

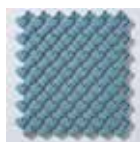
Mean values obtained in normal environmental conditions.
PAVIGYM™ reserves the right to make modifications at any time.



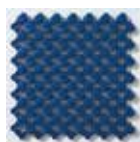
THE FLOORING WHICH OFFERS THE MAXIMUM NON-SLIP PROTECTION AND ALLOWS COMFORTABLE INSTALLATION AND CLEANING.

Due to the tiles design, PAVIGYM™ Wet Areas is totally modular and adaptable to showers, locker rooms, saunas, spas and swimming pools.

COLOURS.



LIGHT BLUE.



BLUE.



BEIGE.



GREY ANTHRACYTE.

REFERENCES.

WET AREAS

LIGHT BLUE	426.002
BLUE	426.001
GREY ANTHRACYTE	426.003
BEIGE	426.004

TECHNICAL INFORMATION.

	NORM	WET AREAS
THICKNESS		9 mm
NET DIMENSIONS		20X20 cm
WEIGHT		0,164 kg
MATERIAL	UNE-53526	PVC
INVISIBLE ANCHORAGE	DIN 53505	Yes
INSTALLATIONSSYSTEM		INTERLOCKING INSTALLATION SYSTEM

Average values obtained in normal environment conditions.
PAVIGYM™ reserves the right to change the product characteristics at any time.

